

DATA SHEET

Explosion proof Option for GÜDEL Robots



With the option of our products to be engineered for operation in explosive environments, GÜDEL opens up a new application field for the well proven range of GÜDEL trackmotions and gantries. With our Explosion Proofing option, GÜDEL products can now be used for applications such as painting, spraying or mining and in other potentially explosive atmospheres.

Option for GÜDEL Robots Explosion proof Design

Ex Classification

ATEX 95	Ex II 3G IIB Tx
	Ex II 2G IIB Tx

Temperatur Class

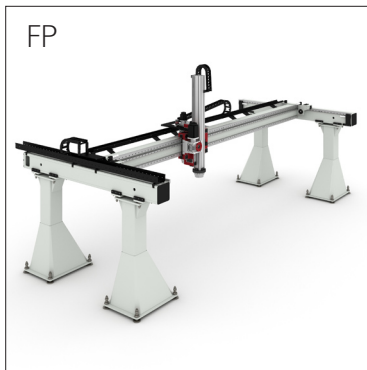
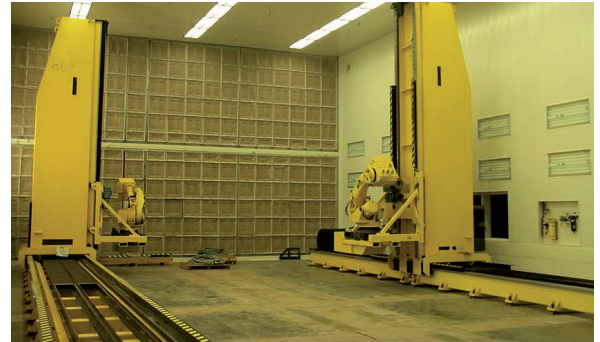
Duty Cycle 40%	Temperature class T4-T6
100%	T3-T4

Calculated for room temperature 30°

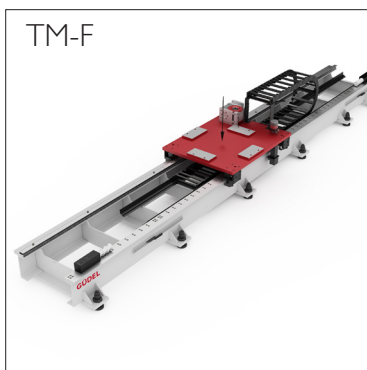
GÜDEL Products available with Explosion protection

	available	on request	not available
TM-F	×		
TM-O	×		
EP		×	
ZP		×	
FP		×	
MLB		×	

Robo Lifter Painting Application



Train Wago Painting



Ship's keel coating

